
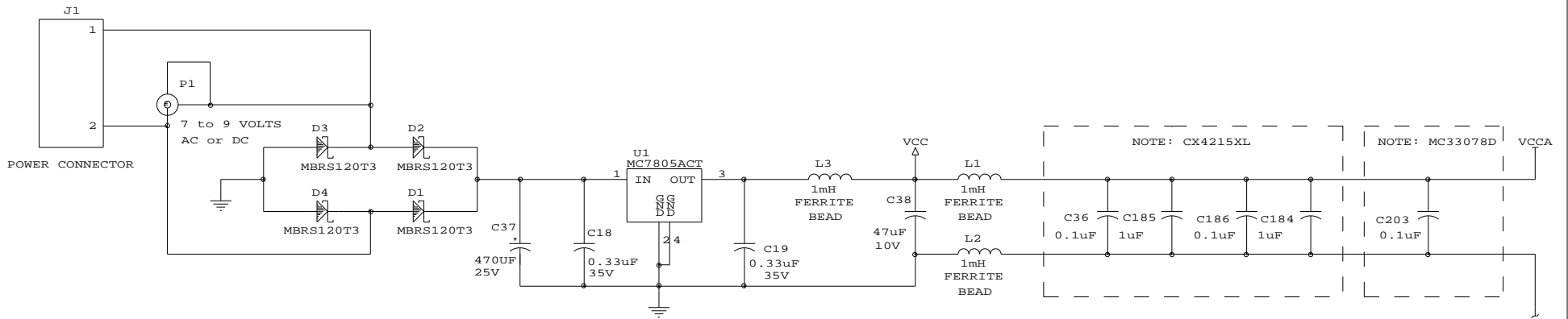
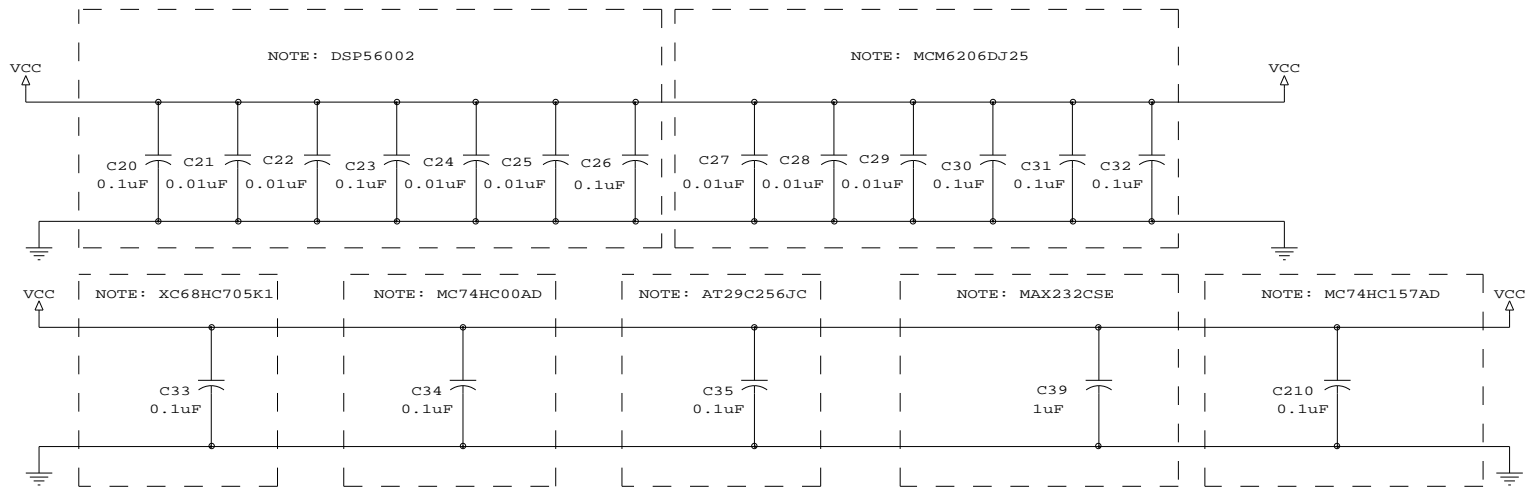


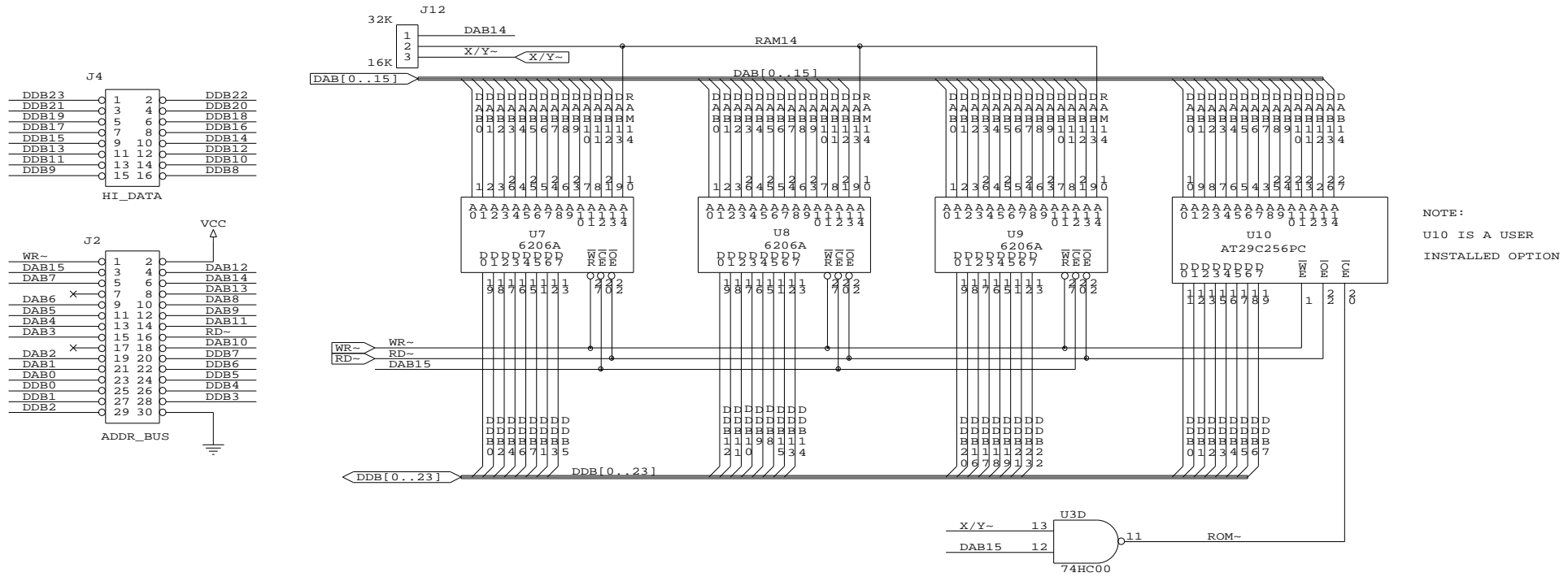
NOTE: ON ALL CONNECTORS (EXCEPT J12), Jx
DESIGNATOR IS PLACED NEXT TO PIN 1.

 MOTOROLA DSP APPLICATIONS 6501 Wm. Cannon Dr. West Austin, Texas 78735		
Title		
DSP56002 EVM BOARD - MAIN		
Size	Document Number	REV
B	56K2EVM	2.2
Date:	December 12, 1996	Sheet 1 of 6

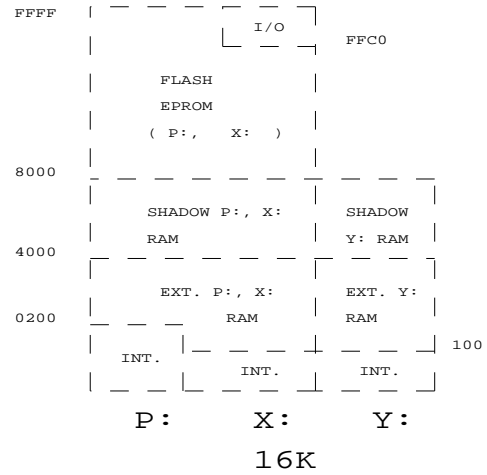
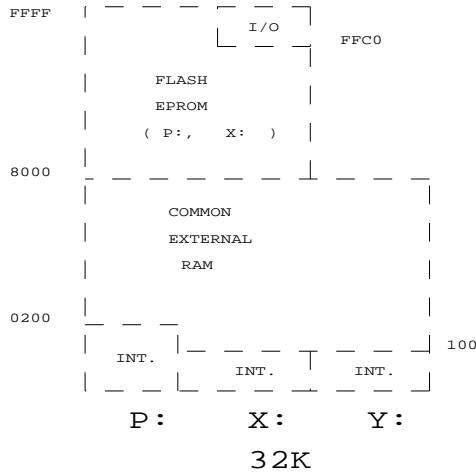


NOTE: C18,C19 ARE TANTALUM OR MYLAR CHIPCAPS
P1 IS 2.1mm Power Jack

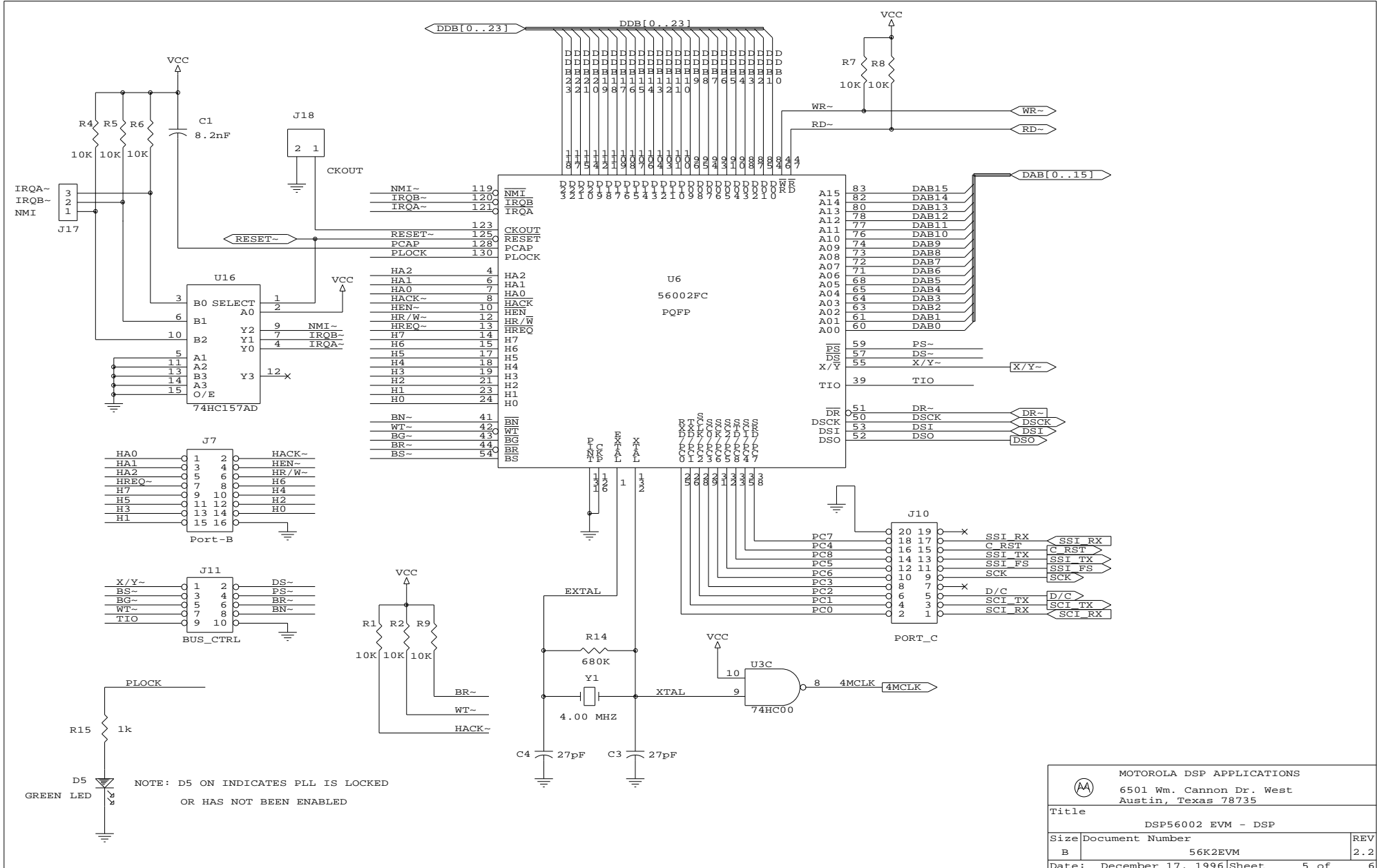
MOTOROLA DSP APPLICATIONS 6501 Wm. Cannon Dr. West Austin, Texas 78735		
Title DSP56002 EVM - POWER/BYPASS CAPACITORS		
Size	Document Number	REV
B	56K2EVM	2.2
Date:	December 12, 1996	Sheet 2 of 6



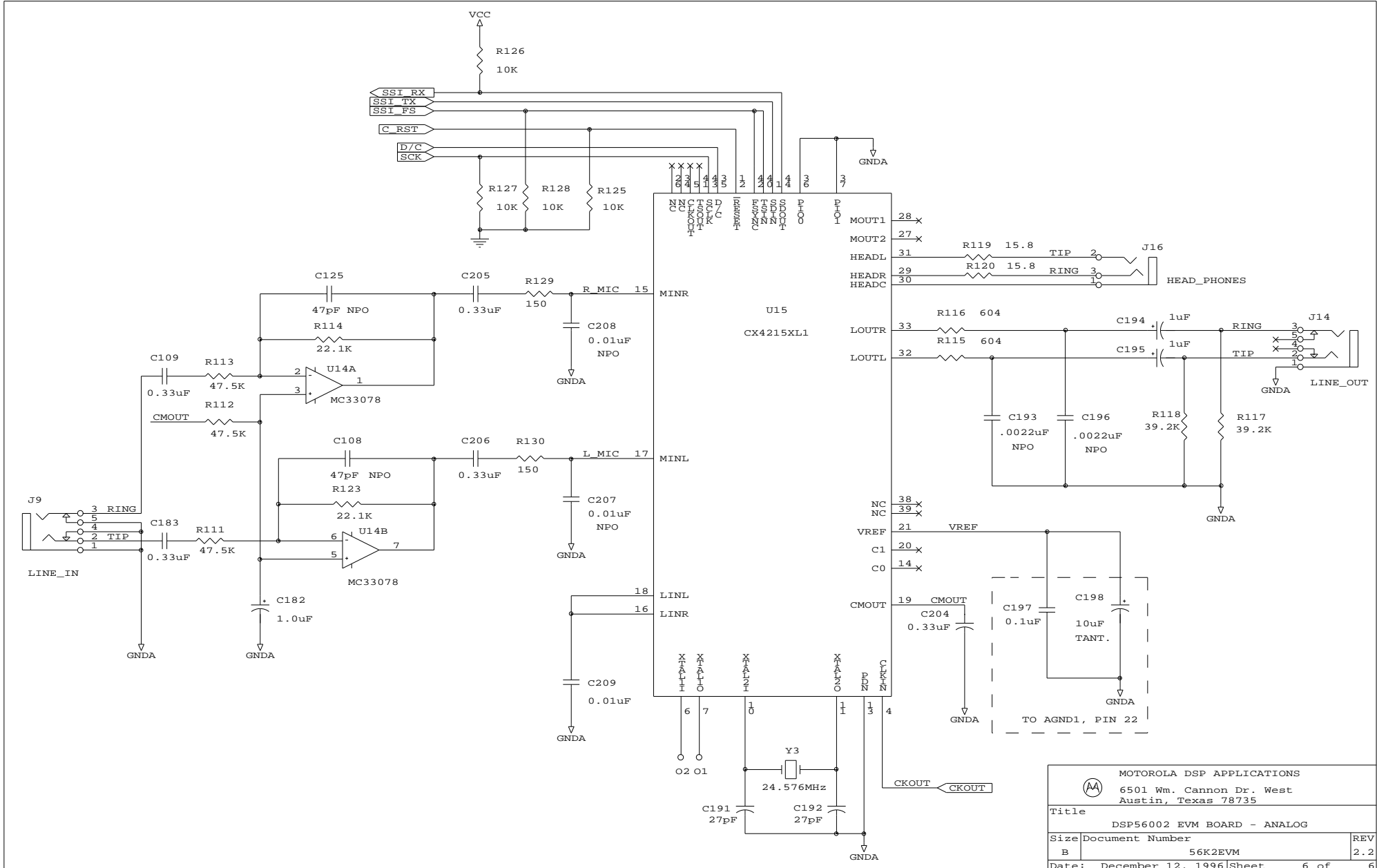
NOTE:
U10 IS A USER
INSTALLED OPTION



MOTOROLA DSP APPLICATIONS 6501 Wm. Cannon Dr. West Austin, Texas 78735		
Title		
DSP56002 EVM - MEMORY		
Size	Document Number	REV
B	56K2EVM	2.2
Date:	December 12, 1996	Sheet 3 of 6



MOTOROLA DSP APPLICATIONS 6501 Wm. Cannon Dr. West Austin, Texas 78735		
Title		
DSP56002 EVM - DSP		
Size	Document Number	REV
B	56K2EVM	2.2
Date:	December 17, 1996	Sheet 5 of 6



MOTOROLA DSP APPLICATIONS 6501 Wm. Cannon Dr. West Austin, Texas 78735		
Title		
DSP56002 EVB BOARD - ANALOG		
Size	Document Number	REV
B	56K2EVM	2.2
Date:	December 12, 1996	Sheet 6 of 6