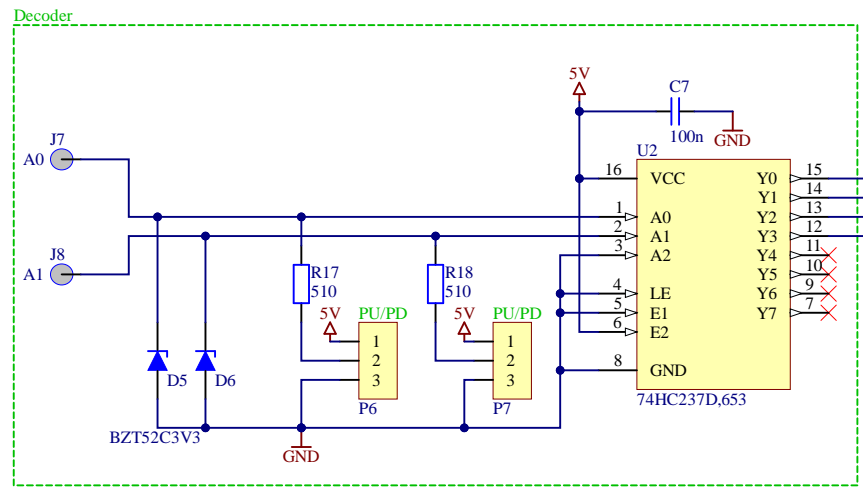
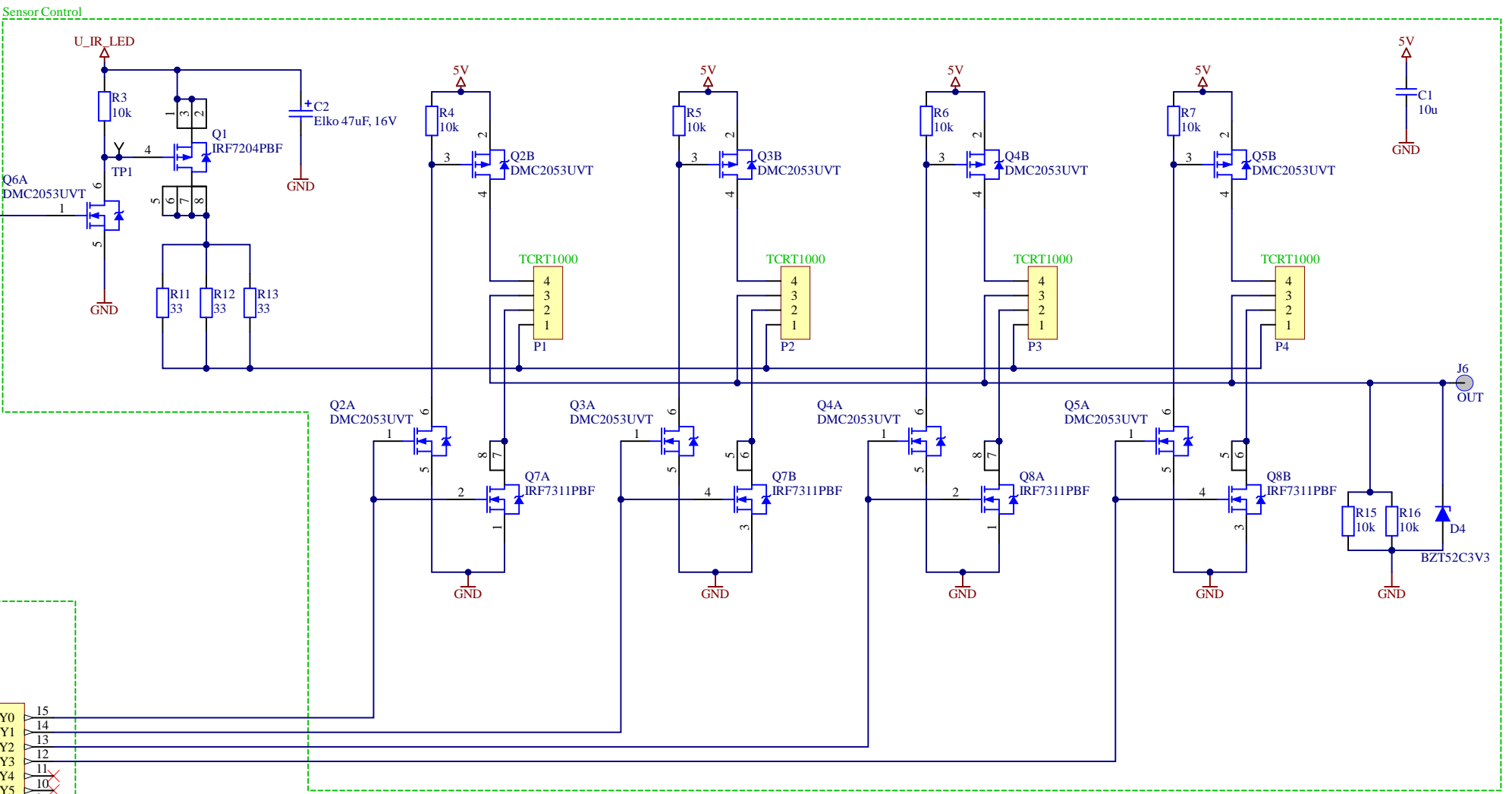
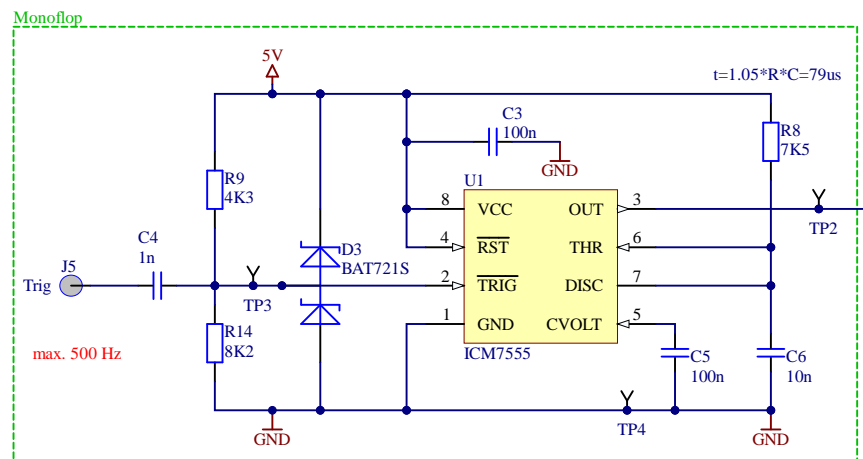


**Notes:**

- Select IR-LED voltage with jumper P5
- Design IR-LED forward current pulse 1 A to 2A (pulse length 80 us).
- Sensor trigger frequency max. 500 Hz (monitor power dissipation)
- Design forward current of D1 and D2 to be approximately 0.5 mA to 1 mA.
- Check sensor orientation on PCB using information from datasheet.
- TCRT1000 or HLC1395 (discontinued) sensors possible. Adjusting of R15 and R16 required due to differing gain.



- J9 Jumper with Handle
- J10 Jumper with Handle
- J11 Jumper with Handle
- T1 TCRT1000
- T2 TCRT1000
- T3 TCRT1000
- T4 TCRT1000



Title: <i>Systemtechnikprojekt Spezialistenausbildung IR Sensor</i>		
Description: <i>IR Distance Measurement</i>		
Name: <i>R. Scheuss</i>	Checked: *	
Size: <i>A3</i>	Rev Date: <i>29.09.2020</i>	Revision: <i>V1.1</i>
Date: <i>14.12.2020</i>	Time: <i>19:38:08</i>	Sheet <i>1</i> of <i>1</i>
File: <i>IR-Sensor.SchDoc</i>		

